

## Rubber Bellows Compensator Type W54 SAE

Type W54 SAE is a low corrugation bellows compensator with good sound insulating characteristics. It is characterized by a very high expansion capability in all three planes.

### Design:

Low corrugation rubber bellows with reinforcing inserts and integral sealing bead (therefore self-sealing without additional gaskets) for accommodating steel-backed swivel flanges with solid ring support. The flanges are SAE J518 Code 61 3000 lb (ISO 6162) with through bolt holes.

All steel parts in S235JRG2 (R St 37-2) are zinc-plated and passivated.

### Note:

The flanges are also available in other standards (eg DIN PN6, 10, 16 or ANSI 150 lb).



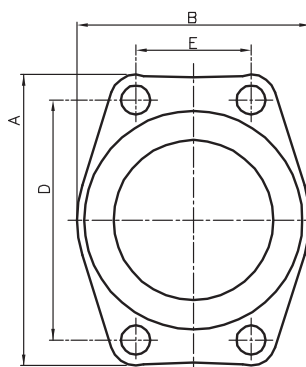
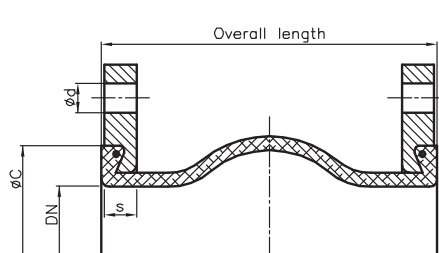
### Details for Type W54 SAE

Bellows colour code	Core (inner)	Reinforcing material	Cover (outer)	Permissible operating data			Electrical resistance [Ohm cm]	Hardness shore A
				bar °C	bar °C	bar °C		
yellow	NBR	Nylon	CR	10 50		10 80	5*10 <sup>4</sup>	60

Suitable for vacuum up to 0.8 bar abs., without supporting ring.  
 Suitable for vacuum up to 0 bar abs., with supporting ring.

Other grades of rubber are also available to special order (eg EPDM).

DN	Bellows		Flange SAE3000							Movement absorption				ØC mm
	Overall length mm	Ødi mm	A mm	B mm	D mm	E mm	Ød mm	n	s mm	ax + mm	ax - mm	lat ± mm	∠ ± °	
25/1"	65	24	70	55	52.4	26.2	11	4	11	10	20	10	7.5	46
32/1 1/4"	65	32	80	70	58.7	30.2	13	4	11	10	20	10	7.5	53
40/1 1/2"	100	40	90	80	70.0	35.7	13	4	13	10	20	10	10.0	64
50/2"	100	50	100	90	77.8	42.9	13	4	13	10	20	10	10.0	73
65/2 1/2"	100	65	115	105	89.0	50.8	13	4	14	10	20	10	10.0	89
80/3"	100	80	132	120	106.4	62.0	17	4	14	10	20	10	10.0	102
90/3 1/2"	100	80	146	130	120.6	70.0	17	4	14	10	20	10	10.0	102
100/4"	100	100	156	140	130.2	77.8	17	4	16	10	20	10	10.0	130
125/5"	130	121	184	165	152.4	92.0	17	4	16	10	20	10	25.0	166



Flanges :  
 SAE J518c 61 3000 lb