

**Applications**

Good resistance to wear is a very important property in many applications, such as sludge suspended stone, calcium, sand blasting houses, sand pipes, etc.

For this kind of demanding use, Teguflex offers the market a high-performance expansion joint; double blue band, made of natural rubber.

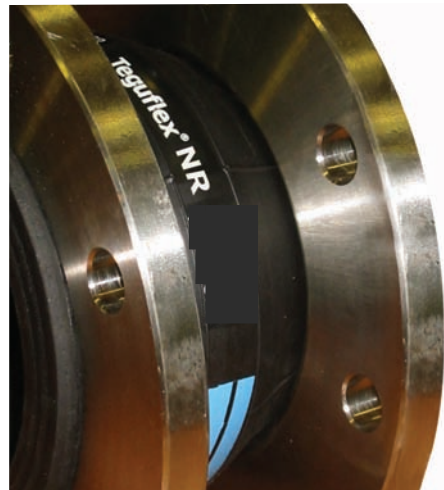
The Teguflex® NR has good resistance to acids, bases, salts and many inorganic chemicals, but not to oxidizing acids. Poor oil resistance and is not resistant to aromatic, aliphatic and halogenated hydrocarbons.

Excellent mechanical properties of NR compound, combined with high resilience properties, makes Teguflex® double blue the perfect solution for abrasion problems.



**Expansion Joints**

DN 25-DN 600

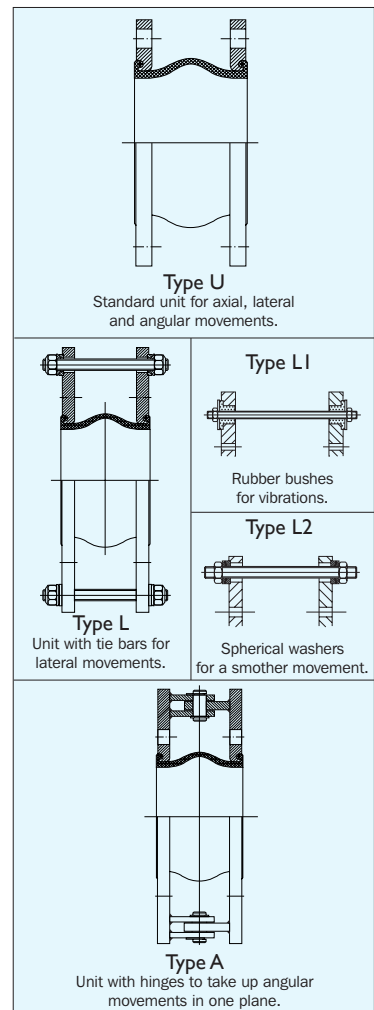


**Materials**

Colour Label	Inner tube	Outer cover	Max temp. °C	Applications
Double Blue	NR	CR	90°	Chemical and abrasion-resistant lining, sand-balasting houses, sand pipe, sludge suspended stone, calcium.

**Pressure rating**

Condition	Temperature	DN 25-DN 150	DN 200-DN 300	DN 350-DN 600
Max. working pressure	70°C	16 bar	10 bar	10 bar
	90°C	10 bar	6 bar	6 bar
Test pressure	20°C	25 bar	25 bar	13 bar
Burst pressure	20°C	>60 bar	>60 bar	>30 bar



# Teguflex NR BL 130/150/200 DN 25-DN 600

## Flange qualities

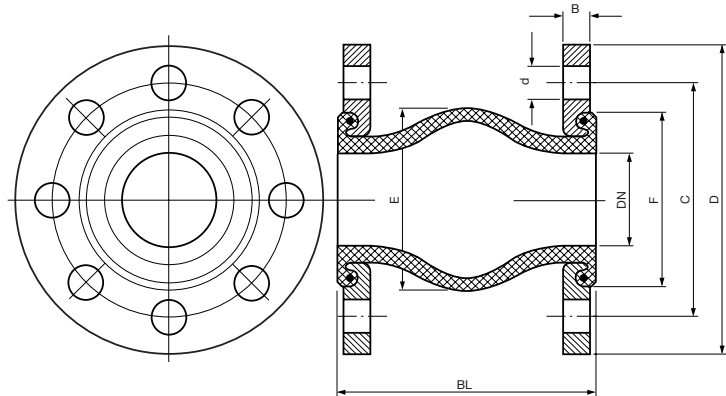
zinc plated steel flanges are supplied as standard; however other types are available: stainless steel, hot dipped galvanized, etc.

## Flange measurements

DN 32-DN 600 DIN 2501 PN 6/10/16

(see Flange dimension table for details)

Other flange standards available. Please ask.



## Dimensions and movements

DN mm	BL mm	Eff.cross-sectional area Q(cm <sup>2</sup> )	(E) mm	(F) mm	Permissible movements				Max. vacuum		Weight	
					Com- pression mm	Elon- gation mm	Lateral mm	An- gular	W/o support ring bar	With support ring bar	Incl. flange kg	Incl. Tie-rod flange kg
25/32	130/150	35/24	77	72	30	20	20	35°	0.8	1.0	3	4
40	130/150	50/45	85	80	30	20	20	35°	0.8	1.0	3	5
50	130/150	74/46	95	90	30	20	20	35°	0.7	1.0	4	6
65	130/150	87/92	110	105	30	20	20	30°	0.6	1.0	5	7
80	130/150	120/110	125	120	30	20	20	30°	0.5	1.0	6	8
100	130/150	143/163	145	140	30	20	20	25°	0.5	1.0	7	10
125	130/150	210/228	170	165	30	20	20	25°	0.4	1.0	8	12
150	130/150	283/321	195	190	30	20	20	15°	0.3	1.0	10	16
175	150	435	225	215	30	20	20	15°	0.3	1.0	13	19
200	130/150/200	525/549	245	240	30	20	20	15°	0.3	1.0	15	24
225	150	657	270	265	30	20	20	15°	0.3	1.0	15	24
250	130/200	636/766	295	290	30	20	20	10°	0.2	1.0	20	34
300	130/200	897/975	345	340	30	20	20	10°	0.2	1.0	24	45
350	200	1290	430	425	30	20	20	10°	0.2	1.0	32	54
400	200	1628	475	470	30	20	20	10°	0.2	1.0	45	71
450	200	2054	532	510	30	20	20	10°	0.2	1.0	52	81
500	200	2546	590	560	30	20	20	10°	0.2	1.0	63	100
600	200	3466	685	655	30	20	20	6°	0.2	1.0	95	140

Note: Maximum values do not apply simultaneously.

## Optional equipment

Vacuum rings, Flame guard, etc. are available. Please ask for information.



Distributor:

**Interflex Hose & Bellows Ltd.** • [www.integflex.co.uk](http://www.integflex.co.uk)  
 Ludlow Business Park • Ludlow • Shropshire • SY8 1XF • United Kingdom  
 Tel: +44 (0)1584 878500 • Fax: +44 (0)1584 878115 • Email: [teguflex@integflex.co.uk](mailto:teguflex@integflex.co.uk)