

Applications

For all types of industrial applications, residential houses, industrial plants, industrial premises, as well as heating and sanitary applications. They:

Compensate for thermal elongation and misalignment.

Isolate vibrations, dampen noise and pressure surges in connection with engines, pumps, turbines, etc.

Design

A moulded rubber bellows that combines elastic properties of rubber with various types of reinforcement to provide a flexible pipe joint that is easy to install providing good performance and a long service life.

Standard Length 130 mm.

Swivel flanges.

Teguflex® P

Expansion Joints

DN 25-DN 300



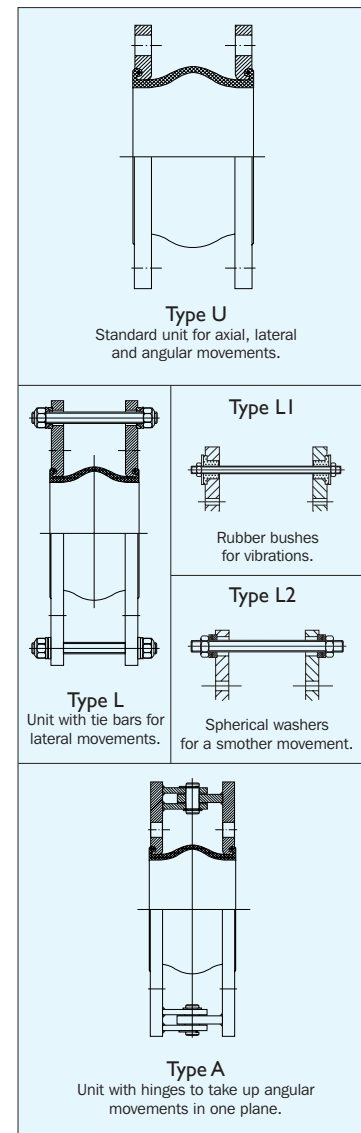
Materials

Colour Label	Inner tube	Outer cover	Max temp. °C	Applications
Red	EPDM	EPDM	90°	Hot water, cooling water with salt solutions, chlorine solutions, esters and ketones.
Yellow	ECO (Epichloridrine)	ECO	90°	Water, salt solutions, alkalis, mineral oils, vegetable or animal oils, oils aerosols, butane or propane gas, etc.
Yellow TW ¹	ECO	ECO	90°	Tank wagons, tankers and stationary structures for oil-based products and unleaded petrol with less than 50% aromatic hydrocarbon.
White	Nitrile white	ECO	90°	Drinking water, food and beverages. Including fats and oils.
Green	Hypalon	Chloroprene	90°	Strong and/or concentrated acids, etc. Compressed air that bears oil aerosols.
Blue	SBR	Chloroprene	90°	Wearing material such as sludge suspended stone, calcium.

¹ Provided with aluminium flanges acc. to DIN 28460 for tank lorries. Maximum allowable pressure 10 bar. Sizes: from DN65 up to DN125 inclusive only.

Pressure rating

Condition	Temperature	Pressure
Max. working pressure	70°C	16 bar
	90°C	10 bar
Test pressure	20°C	25 bar
Burst pressure	20°C	>50 bar



Teguflex P BL 130 DN 25-DN 300

Flange qualities

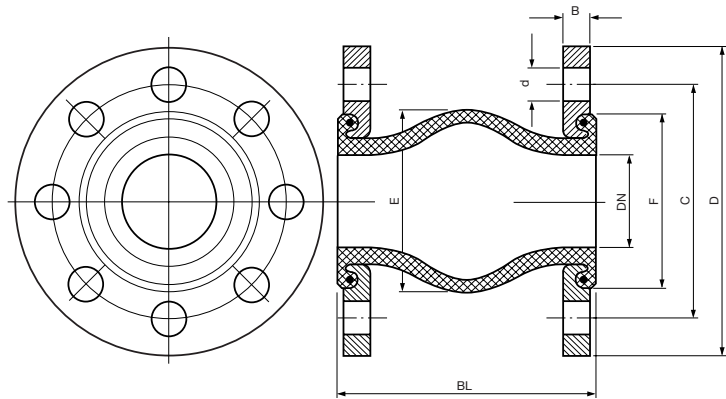
zinc plated steel flanges are supplied as standard, however other types are available: stainless steel, hot dipped galvanized, etc.

Flange measurements

DN 32-DN 300 DIN 2501 PN 6/10/16

(see Flange dimension table for details)

Other flange standards available. Please ask.



Dimensions and movements

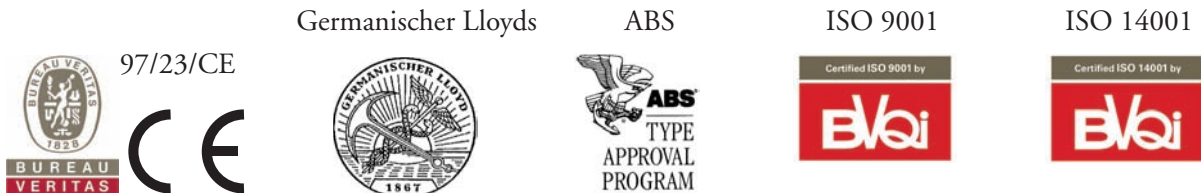
DN mm	BL mm	Eff.cross-sectional area Q(cm ²)	(E) mm	(F) mm	Permissible movements				Max. vacuum		Weight		P Tied flanges kg	Spring rates		
					Com- pression mm	Elon- gation mm	Lateral mm	An- gular	W/o support ring bar	With support ring bar	Incl. flange kg	Incl. Tie-rod flange kg		Com- pression Stiffness kg/cm	Elon- gation Stiffness kg/cm	Lateral Stiffness kg/cm
25/32	130	35	77	72	30	20	20	35°	0.8	1.0	2.8	4.5	4	50	75	50
40	130	50	85	80	30	20	20	35°	0.8	1.0	3.3	4.8	5	50	75	50
50	130	74	95	90	30	20	20	35°	0.7	1.0	3.7	5.0	5	50	75	50
65	130	87	110	105	30	20	20	30°	0.6	1.0	4.8	6.4	7	50	75	50
80	130	120	125	120	30	20	20	30°	0.5	1.0	5.3	7.5	8	50	75	50
100	130	143	145	140	30	20	20	25°	0.5	1.0	6.2	9.0	10	65	85	65
125	130	210	170	165	30	20	20	25°	0.4	1.0	8.2	11.2	12	65	85	65
150	130	283	195	190	30	20	20	15°	0.3	1.0	11.2	13.4	16	75	100	75
200	130	525	245	240	30	20	20	15°	0.3	1.0	16.8	19.4	23	75	100	75
250	130	636	295	290	30	20	20	10°	0.2	1.0	21.6	25.4	33	100	150	100
300	130	897	345	340	30	20	20	10°	0.2	1.0	30.1	33.1	44	100	150	100

Note: Maximum values do not apply simultaneously. Stiffness values tolerance: +/- 20%.

Optional equipment

PTFE lining, Vacuum rings, Flame guards, etc. are available.

Approvals



Distributor:

Interflex Hose & Bellows Ltd. • www.integflex.co.uk
 Ludlow Business Park • Ludlow • Shropshire • SY8 1XF • United Kingdom
 Tel: +44 (0)1584 878500 • Fax: +44 (0)1584 878115 • Email: teguflex@integflex.co.uk