

Applications

For all types of industrial applications, residential houses, industrial plants, industrial premises, as well as heating and sanitary applications. They:

Compensate for thermal elongation and misalignment.

Isolate vibrations, dampen noise and pressure surges in connection with engines, pumps, turbines etc.

Design

A moulded rubber bellows that combines elastic properties of rubber with various types of reinforcement to provide a flexible pipe joint that is easy to install providing good performance and a long service life.

Standard length 150/200/275/300 mm.

Swivel flanges.

Teguflex® W

Expansion Joints

DN 25-DN 1000



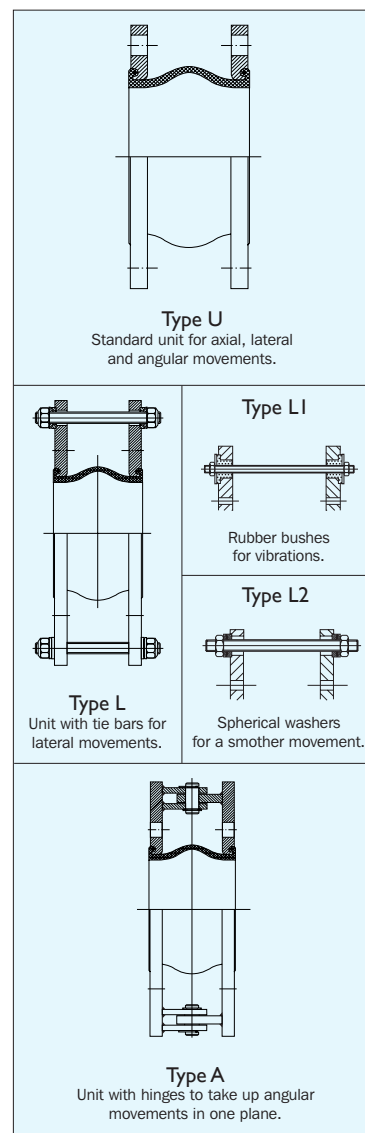
Materials

Colour Label	Inner tube	Outer cover	Max temp. °C	Applications
Red	EPDM	EPDM	90°	Hot water, cooling water with salt solutions, chlorine solutions, esters and ketones.
Yellow	ECO	ECO	90°	Water, salt solutions, alkalis, mineral oils, vegetable or animal oils, oils aerosols, butane or propane gas, etc.
White	Nitrile white	ECO	90°	Drinking water, food and beverages. Including fats and oils.
Green	Hypalon	Chloroprene	90°	Strong and/or concentrated acids, etc. Compressed air that bears oil aerosols.
Blue	SBR	Chloroprene	90°	Wearing material such as sludge suspended stone, calcium.
Double red HP	Spec. EPDM	Spec. EPDM	130°	Hot water, vapour, hot air, etc. at temperatures up to 130°C.

Note: Other materials available. Please ask.

Pressure rating

Condition	Temperature	Pressure DN 25-300	Pressure DN 350-1000
Max. working pressure	70°C	16 bar	10 bar
	90°C	10 bar	8 bar
Test pressure	20°C	25 bar	15 bar
Burst pressure	20°C	>50 bar	>30 bar



Teguflex W BL 150-300 DN 25-DN 1000

Flange qualities

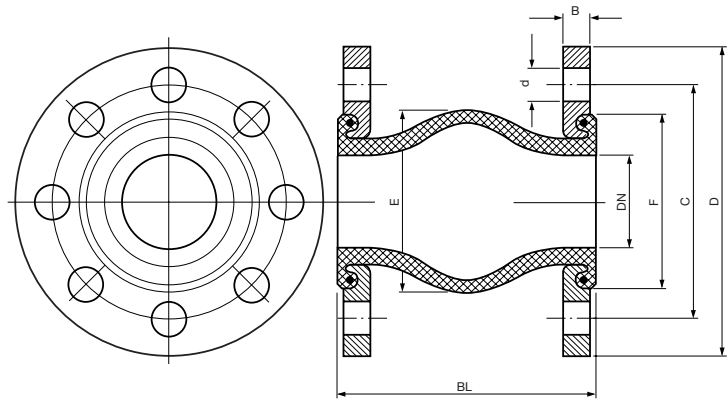
zinc plated steel flanges are supplied as standard, however other types are available: stainless steel, hot dipped galvanized, etc.

Flange measurements

DN 32-DN 1000 DIN 2501 PN 6/10/16

(see Flange dimension table for details)

Other flange standards available. Please ask.



Dimensions and movements

DN mm	BL mm	Eff. cross-sectional area Q(cm ²)	(E) mm	(F) mm	Permissible movements				Max. vacuum		Weight		Spring rates		
					Compression mm	Elongation mm	Lateral mm	Angular	W/o support ring bar	With support ring bar	Incl. flange kg	Incl. tied flanges kg	Compression Stiffness kg/cm	Elongation Stiffness kg/cm	Lateral Stiffness kg/cm
32	150	24	77	72	30	20	20	35°	0.8	1.0	3	4	50	75	50
40	150	45	85	80	30	20	20	35°	0.8	1.0	3	5	50	75	50
50	150	46	95	90	30	20	20	35°	0.8	1.0	4	6	50	75	50
65	150	82	110	105	30	20	20	30°	0.8	1.0	5	7	50	75	50
80	150	110	125	120	30	20	20	30°	0.5	1.0	6	8	50	75	60
100	150	163	145	140	30	20	20	25°	0.5	1.0	7	10	65	85	65
125	150	228	170	165	30	20	20	25°	0.5	1.0	8	12	65	85	65
150	150	321	195	190	30	20	20	15°	0.5	1.0	10	16	75	100	75
175	150	435	225	215	30	20	20	15°	0.5	1.0	13	19	75	100	75
200	200	549	245	240	30	20	20	15°	0.3	1.0	15	24	100	150	100
225	150	657	270	265	30	20	20	15°	0.3	1.0	15	24	100	150	100
250	200	766	295	290	30	20	20	10°	0.3	1.0	20	34	100	150	100
300	200	975	345	340	30	20	20	10°	0.3	1.0	24	45	100	150	100
350	200	1290	430	425	30	20	20	10°	0.3	1.0	32	54	100	150	100
400	200	1628	475	470	30	20	20	10°	0.3	1.0	45	71	100	150	100
450	200	2054	532	510	30	20	20	10°	0.3	1.0	52	81	150	200	150
500	200	2546	590	560	30	20	20	10°	0.3	1.0	63	100	150	200	150
600	200	3466	685	655	30	20	20	6°	0.3	1.0	95	140	175	250	175
700	275	4500	820	778	40	25	30	5°	0.3	1.0	125	347	175	250	175
800	275	5600	920	878	40	25	30	4°	0.2	1.0	160	406	200	300	200
900	300	7000	1060	988	40	25	30	4°	0.2	1.0	175	456	200	300	200
1000	300	8500	1160	1088	40	25	30	3°	0.1	1.0	210	490	225	350	225

Note: Maximum values do not apply simultaneously. Stiffness values tolerance: +/- 20%.

Optional equipment

Vacuum rings (stainless steel), Flame guard, etc. are available.

Approvals



Distributor:

Interflex Hose & Bellows Ltd. • www.integflex.co.uk

Ludlow Business Park • Ludlow • Shropshire • SY8 1XF • United Kingdom

Tel: +44 (0)1584 878500 • Fax: +44 (0)1584 878115 • Email: teguflex@integflex.co.uk